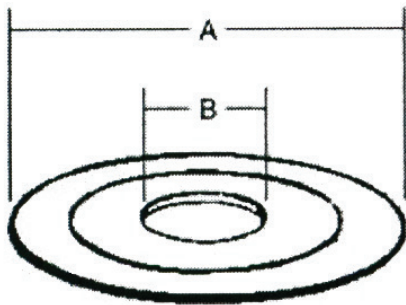


Reducing Washers

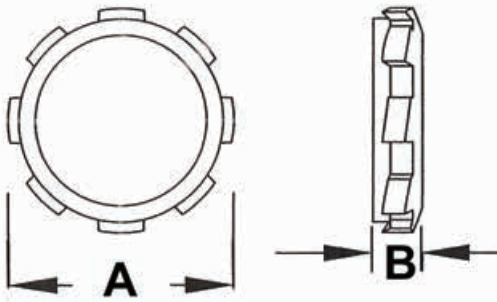


- Use to reduce the size of the knockout in a steel outlet box
- or other metal enclosure or cabinet
- Must use one inside the enclosure opening and one on the outside
- Galvanized Steel

DIMENSIONS = INCHES

CAT. NO.	TRADE SIZE	DIMENSIONS		INNER BOX	OUTER BOX
		A	B		
14620	3/4" X 1/2"	1.42	.87	100	1,000
14621	1" X 1/2"	1.71	.87	100	1,000
14622	1" X 3/4"	1.71	1.66	100	1,000
14623	1-1/4" X 1/2"	2.08	.87	50	500
14624	1-1/4" X 3/4"	2.08	1.125	50	500
14625	1-1/4" X 1"	2.08	1.38	50	500
14626	1-1/2" X 1/2"	2.635	.87	50	500
14627	1-1/2" X 3/4"	2.635	1.06	50	500
14628	1-1/2" X 1"	2.635	1.335	50	500
14629	1-1/2" X 1-1/4"	2.635	1.69	50	500
14630	2" X 1/2"	3.265	.87	25	250
14631	2" X 3/4"	3.265	1.06	25	250
14632	2" X 1"	3.265	1.335	25	250
14633	2" X 1-1/4"	3.265	1.69	25	250
14634	2" X 1-1/2"	3.265	1.935	25	250

Locknuts - Zinc Die Cast



- Conduit locknuts for securing threaded conduit or connectors with tapered or straight thread, to a knockout or unthreaded slip hole

DIMENSIONS = INCHES

CAT. NO.	TRADE SIZE	DIMENSIONS		INNER BOX	OUTER BOX
		A	B		
14720	1/2"	1.08	0.14	100	4,000
14721	3/4"	1.36	0.14	100	2,500
14722	1"	1.69	0.20	50	1,000